



Middleby Marshall® Service Bulletin

SUBJECT

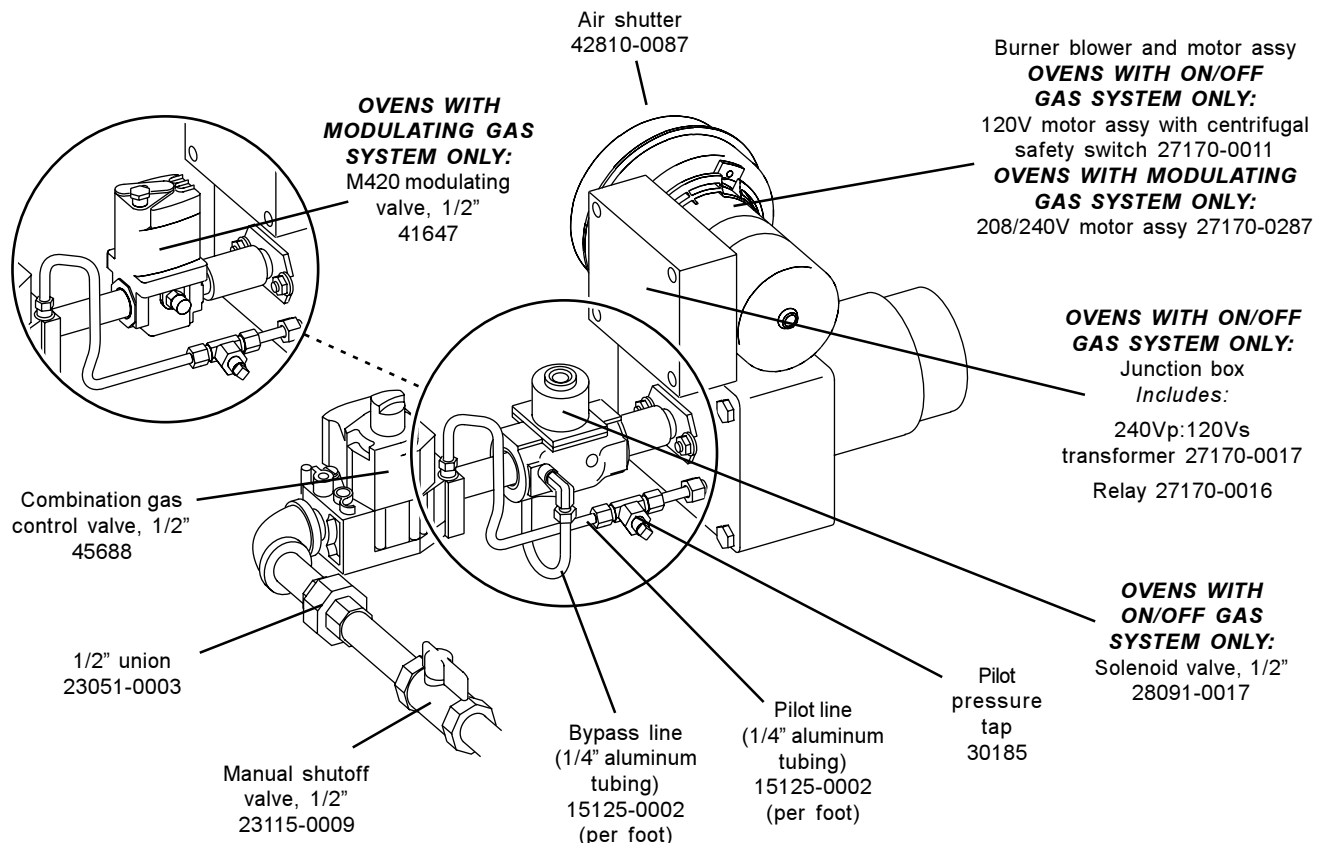
Update on manufacturing of PS200-series gas ovens with the PID modulated gas system

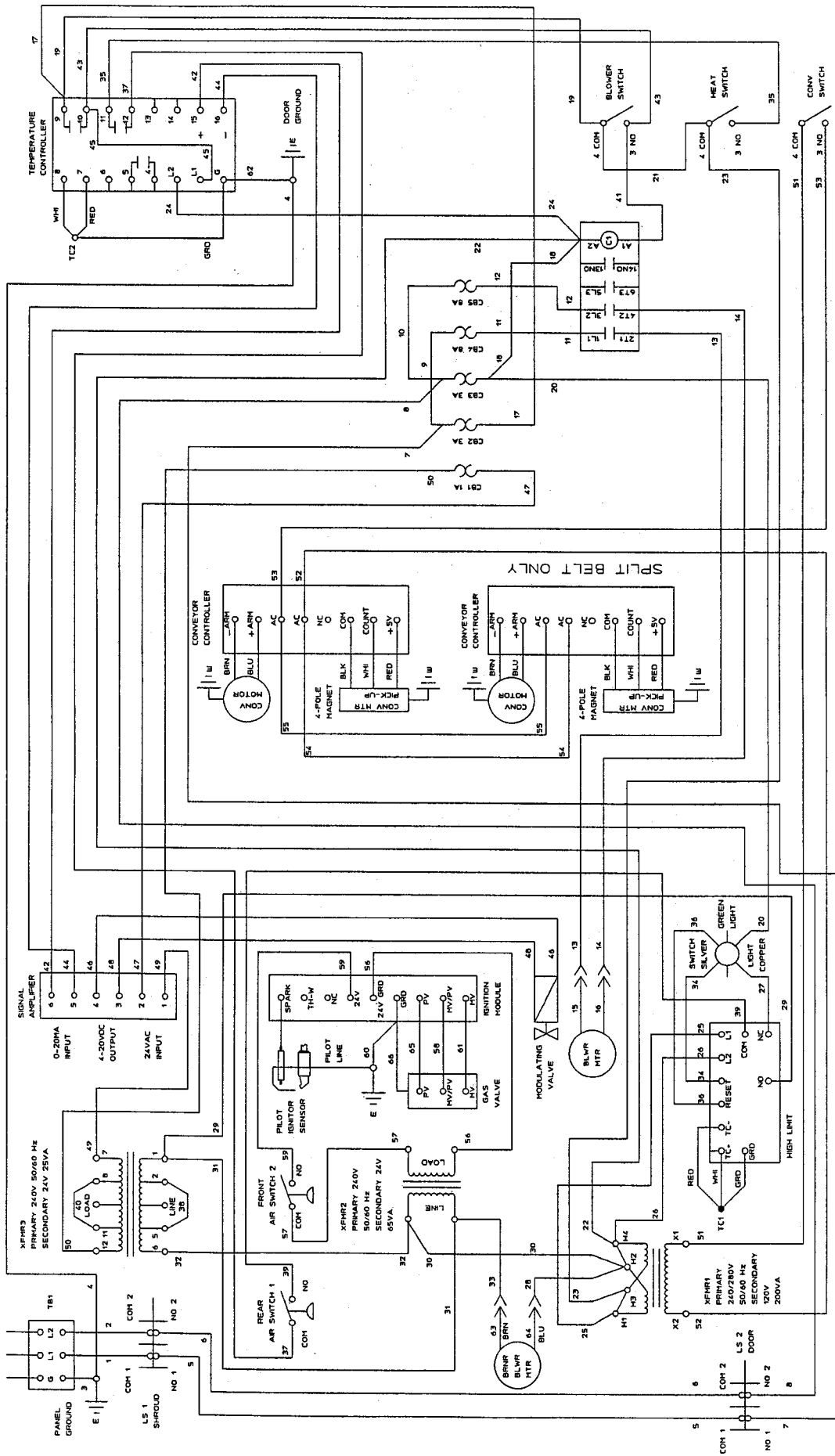
GENERAL

Through the first three quarters of 2002, Middleby Marshall was planning on updating its PS200-series gas ovens with the PID modulated gas system, similar to the one used on PS555/570 ovens. In addition to the modulated gas system, these ovens used a line voltage (208V or 240V) control system instead of the 120V system used on "standard" PS200 models. Several of these ovens were built, and were documented in the Technical Service Manual (P/N 47829, 4/02).

Since that time, Middleby has chosen not to release the new design for full-scale production. Middleby will continue to produce PS200-series ovens with the original on-off gas system and 120V control system.

Modulating ovens that were produced should be serviced and maintained normally. For your reference, this Bulletin reprints the Technical Service Manual's wiring diagram and gas train illustration for the modulating unit.





PS200-series gas oven (with modulating valve), 208/240V main blower motor and control circuit
 208/240V, 50/60 Hz, 1 Ph, 2 pole, 3 wire supply (2 hot, 1 ground)