

Instructions for Service Kit 39352 PS360WB70 Cooling Fan Extension Collars

KIT COMPONENTS

<i>Qty.</i>	<i>P/N</i>	<i>Description</i>
2	39355	Cooling fan extension collar
4	2000126	Screw, PNHD 8-32 X 1/2"
1	39693	Instructions

TOOLS REQUIRED

- Drill with #10 bit
- #2 flat-bladed screwdriver



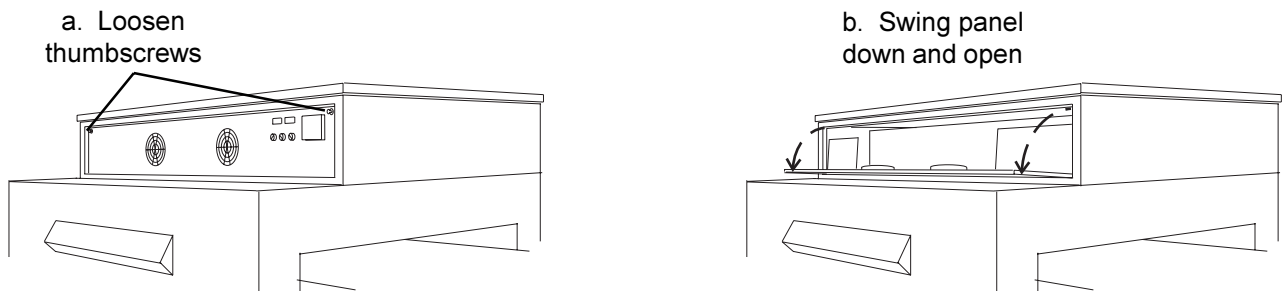
WARNING

BEFORE PERFORMING ANY SERVICE WORK, THE ELECTRICAL POWER SUPPLY AND THE GAS SUPPLY MUST BE TURNED OFF.

INSTRUCTIONS:

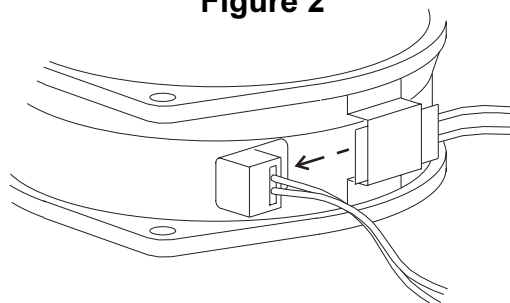
1. Turn off the electric power supply to the oven at the circuit breaker/fused disconnect.
2. Turn off the gas supply at the service valve behind the oven.
3. Loosen the two thumbscrews at the top corners of the machinery compartment access panel. Then, swing the panel downwards to open it. See Figure 1.

Figure 1

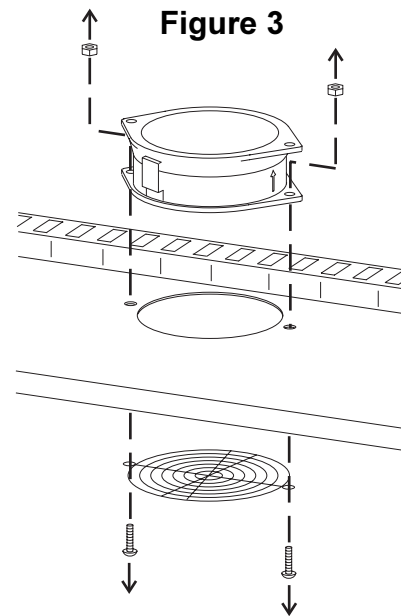


4. Disconnect the black power wiring from the cooling fans at their quick disconnects (on the side of the fan housing). See Figure 2.

Figure 2



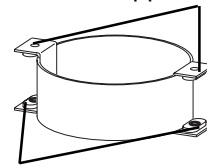
- Remove **AND RETAIN** the two screws and nuts that hold each fan and fan grill to the machinery compartment access panel. Then, remove the fans and grills. See Figure 3.



- Using a #10 drill, drill out both holes on **ONE** side of each kit-supplied fan collar, as shown in Figure 4. **DO NOT** drill out the holes on the opposite side of the collar.

Figure 4

- DO NOT** drill out holes on the opposite side of collar



- Drill out both holes on one side of each collar

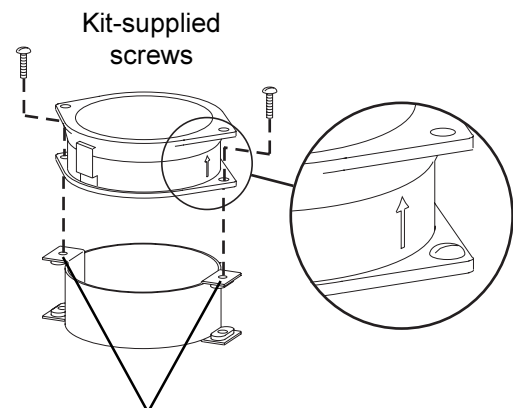
- Using the kit-supplied 8-32 X 3/8" screws, assemble the fans to the collars. The fans mount on the side of the collars that was **NOT** drilled out in Step 6. See Figure 5.

When installing the fans to the collars, be sure that the directional arrow points away from the collars.

CAUTION

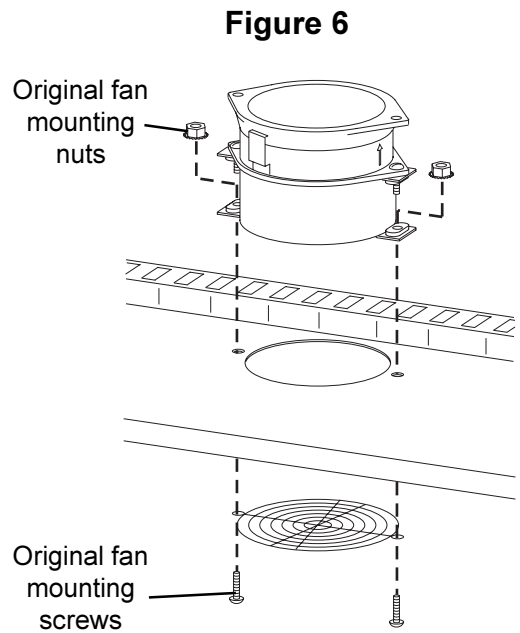
IF AIR DOES NOT FLOW THROUGH THE FANS IN THE PROPER DIRECTION, THE OVEN'S COMPONENTS WILL NOT RECEIVE ADEQUATE COOLING. THIS MAY CAUSE THE OVEN TO FREQUENTLY SHUT DOWN DURING NORMAL OPERATION, AND CAN ALSO DAMAGE THE INTERIOR COMPONENTS.

Figure 5

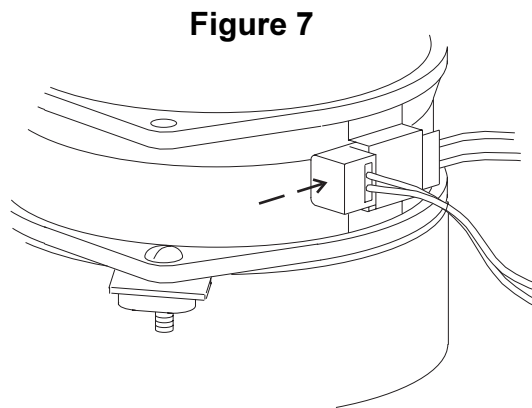


Fan mounts into holes that were **NOT** drilled out in Step 6

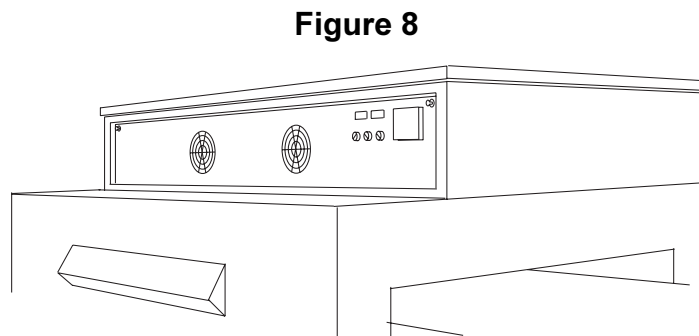
- Using the original screws and nuts, assemble each fan grill and fan/collar assembly in place on the door. The screw head should be on the outside of the panel. See Figure 6.



- Reconnect the black power wiring for each cooling fan at the quick disconnect. See Figure 7.

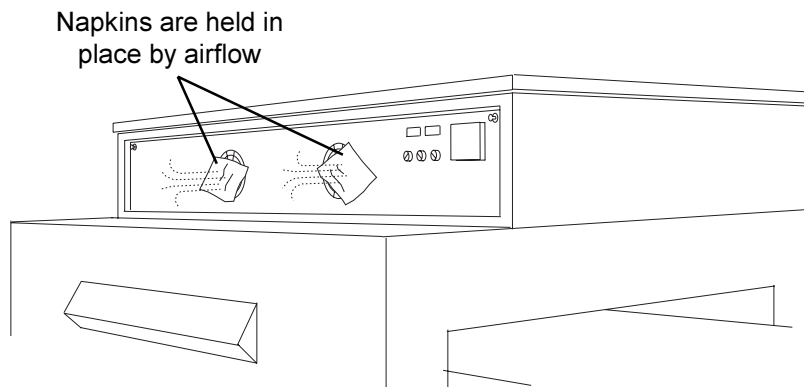


- Close the machinery compartment access panel, and fasten it in place with the two thumbscrews at its upper corners.



11. Restore the electrical and gas supply connections to the oven.
12. Turn the BLOWER switch to the ON position. Then, hold a paper napkin against each of the cooling fans. The airflow through the fans should hold the napkins in place. See Figure 9.

Figure 9



If the napkins are not held in place as shown in Figure 9, check the following:

- If the fan is not working at all, the fan wiring may not have been reconnected properly. Refer to Step 9.
- If the fan is blowing air towards you, out of the machinery compartment, the fan was reinstalled backwards. Refer to Step 7 for proper fan positioning.
- If these checks fail to correct the problem, the fan may need to be replaced. Contact your Authorized Service Agent.

13. Remove the napkins from the front of the oven, and turn the BLOWER switch to the OFF position. The oven is now ready for normal operation.

