

Middleby Cooking Systems Group



Toastmaster®



RoFry



1400 Toastmaster Drive • Elgin, IL 60120-9272 U. S. A. • Telephone: (847)741-3300 • Service and Parts Fax: (847)741-4406



SUBJECT: Redesign of the High Flame Solenoid Valves for Middleby Marshall CE-approved gas-fired ovens.

GENERAL: The High-Flame Solenoid Valves installed on Middleby Marshall CE-approved gas-fired ovens have been redesigned by their manufacturer. The affected valves have either 120V coils (valve P/N 20891-0021, present on ovens with an external 220V to 120V transformer on the back wall) or 220V coils (valve P/N 30876, present on ovens *without* the external transformer).

Changes to the solenoid valves are as follows:

- **PART NUMBER CHANGES**

The 120V-coil valve, P/N 20891-0021, has been renumbered to P/N 37850.
The 220V-coil valve, P/N 30876, retains its previous P/N, 30876.

- **PHYSICAL CHANGES**

The exterior dimensions of the valve body are unchanged, ensuring uniformity with the existing gas train piping. The coil operator now features an internal electrical connection box with a swiveling, multi-position coil tower.

- **WIRING CHANGES**

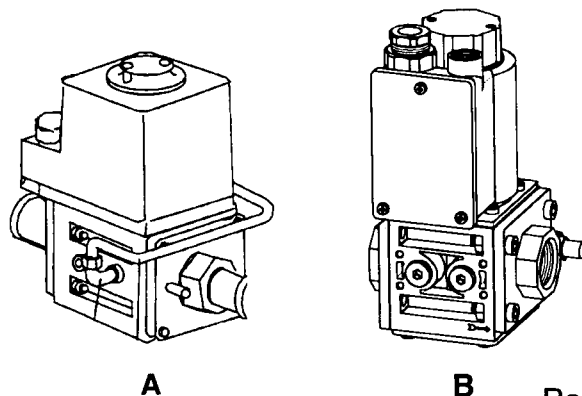
Minor wire modifications are necessary when installing the new solenoid in place of an existing former style solenoid.

Because of the changes to the required wiring, the redesigned valves are available in Service Kits which include all parts and instructions necessary to install the valves in existing ovens. Service Kit P/N 37851 includes the 120V-coil valve(P/N 37850), while Service Kit P/N 37770 includes the 220V-coil valve (P/N 30876). A copy of the instructions for these kits is attached to this Service Bulletin.

APPLICATION: When replacing a previous-style High Flame Solenoid Valve (Figure 1 item A) in a CE gas train with a current-style High Flame Solenoid Valve (Figure 1, item B), the wiring must be lengthened per the kit instructions to properly connect to the new solenoid. The existing gas pipe connections remain the same, because the new-style valve occupies the same position in the gas train as does the previous-style valve.

Figure 1
High-Flame Solenoid Valves

- A** Previous-style high-flame solenoid valve
- B** New-style high-flame solenoid valve



COMPATIBILITY: The new-style High Flame Solenoid Valve, P/N 37850, is compatible with all Middleby Marshall CE-approved gas-fired ovens equipped with a 120V coil (external 220V-120V transformer is mounted on the back wall of the oven). The new-style valve P/N 30876 is compatible with all Middleby Marshall CE Gas fired ovens using the 220V coil (*no* external 220V to 120V transformer is present).

FEATURES:

- Same valve body dimensions for direct fit into the existing gas train
- Swivel coil operator for ease of positioning for installation.

AVAILABILITY: Both new-style High Flame Solenoid Valves are available for immediate shipment.

- Service Kit P/N 37851 includes valve P/N 37850 (120V coil).
- Service Kit P/N 37770 includes valve P/N 30876 (220V coil).

DISPOSITION OF INVENTORY: Use any remaining stock of the previous-style High Flame Solenoids (P/Ns 20891-0021 and 30876). Then, reorder the new Service Kits (P/Ns 37851 and 37770) to replenish your inventory.