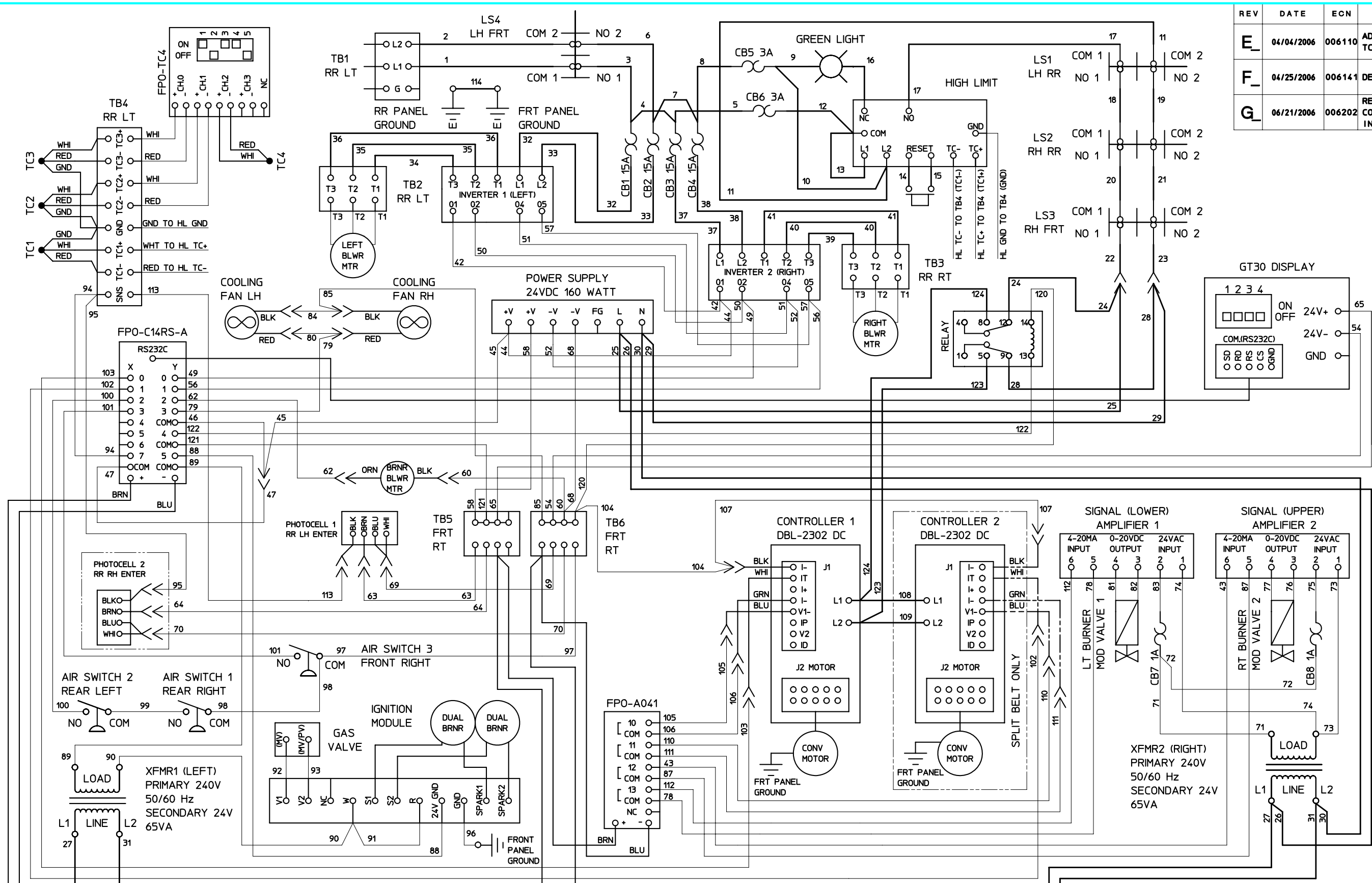


REV	DATE	ECN	REVISION DESCRIPTION	BY	CHK	DATE
E	04/04/2006	006110	ADDED RELAY SWITCH, REROUTED TC4 GROUND & 670 TO DESC.	FC	WSS	04/11/2006
F	04/25/2006	006141	DESCRIPTION CHANGE ONLY	FC	WSS	05/05/2006
G	06/21/2006	006202	REVERSED COLORS ON TC1 & CORRECTED SIGNAL AMPLIFIER INPUT & OUTPUT	KMM	WSS	06/21/2006



WD LABEL P/N 58813

MATERIAL	Gauge:	TOLERANCE UNLESS SPECIFIED
FINISH		ANGLES ± 1.0°
		DEC .X ± .030
		.XX ± .015
		.XXX ± .005
DRAWN KMM 06/21/2006	CHECKED WSS 06/21/2006	APPROVED WSS 06/21/2006

THIS DRAWING IS CONFIDENTIAL AND PROPERTY OF

THE MIDDLEBY CORPORATION

1400 Toastmaster Drive
Elgin, Illinois 60120
847-741-3300

Ⓢ Ⓢ

WD, G208-240/50/60/1 PS870/770

ALL DIMENSIONS ARE IN INCHES UNLESS OTHERWISE SPECIFIED. DO NOT SCALE DRAWING	PART NO 54745	SHT 1 OF 1	REV G
---	-------------------------	---------------	-----------------