

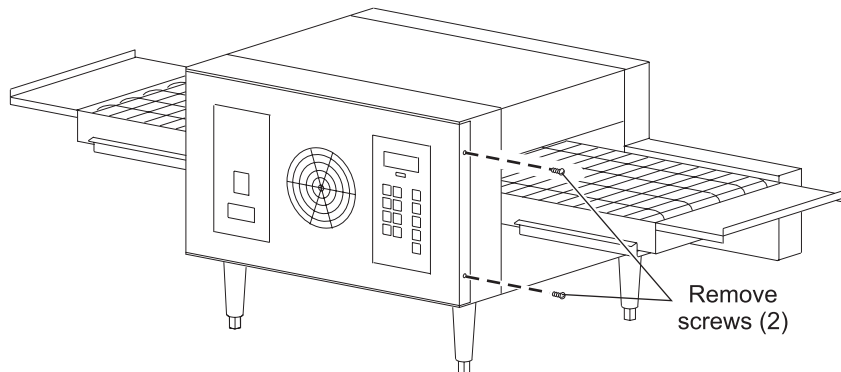
Removing the **MIGHTY CHEF** Front Panel for Servicing



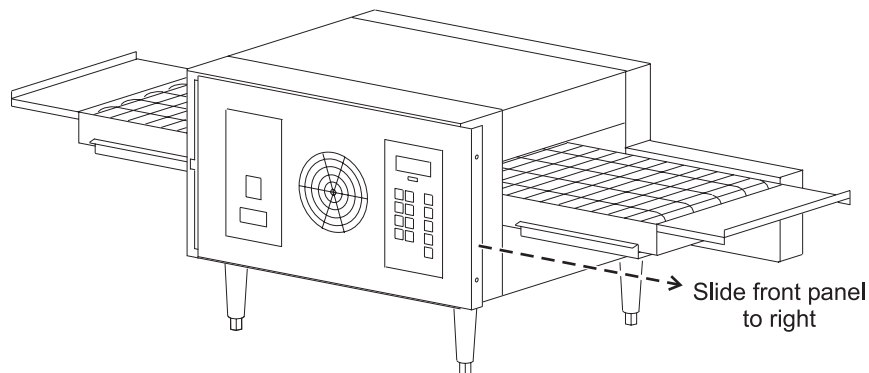
WARNING

DISCONNECT THE OVEN FROM ITS ELECTRICAL POWER SUPPLY BEFORE SERVICING.

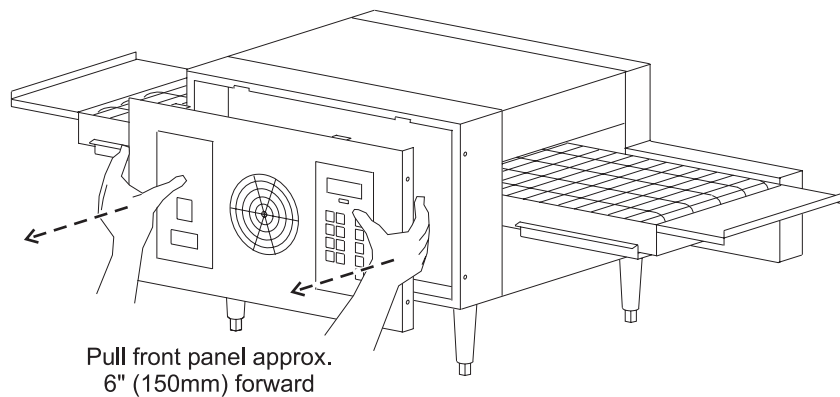
1



2



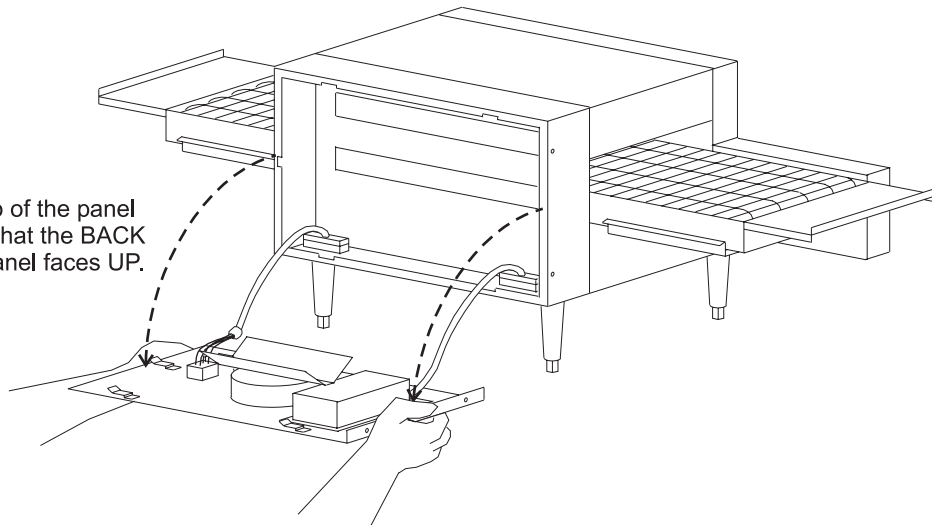
3



HOLD THE PANEL WITH BOTH HANDS. DO NOT ALLOW IT TO DROP, OR HANG BY THE ELECTRICAL WIRING.

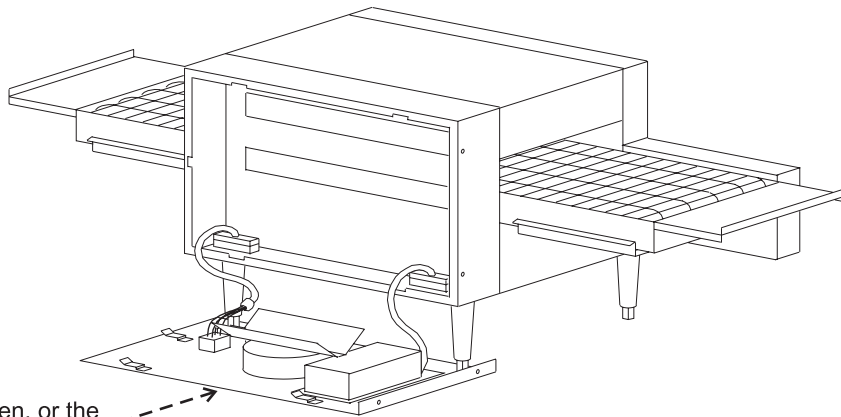
4

Swing the top of the panel down 90°, so that the BACK SIDE of the panel faces UP.



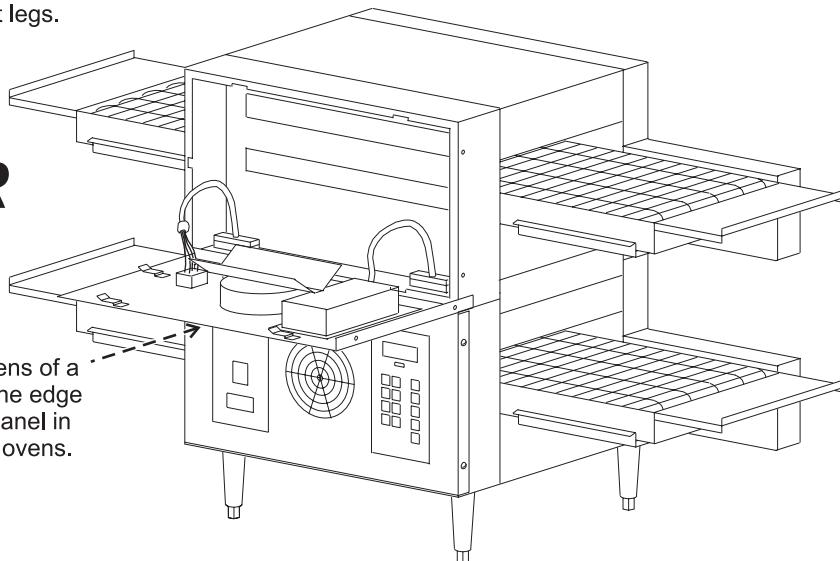
DO NOT STRETCH THE WIRING WHILE MOVING THE PANEL.

5



For a single oven, or the bottom oven of a stack, insert the edge of the front panel underneath the two front legs.

OR



For upper ovens of a stack, insert the edge of the front panel in between the ovens.