

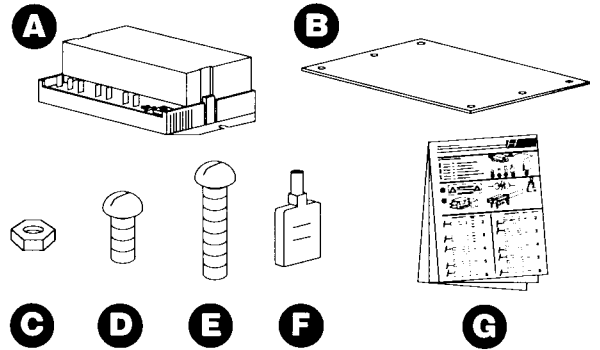
Service Kit P/N 37632

**Replacement Instructions for High Limit Control Module, Toastmaster
Infrared Conveyor Oven Models HB4, HB6, DZ33, DZ33II, DZ55, DZ55II**



KIT COMPONENTS

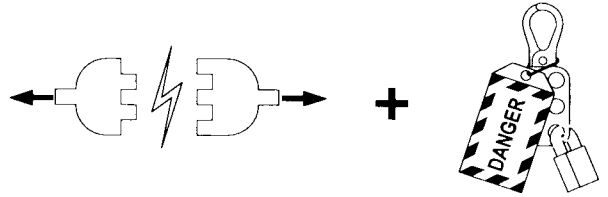
	<i>P/N</i>	<i>QTY.</i>	<i>DESCRIPTION</i>
A	35842	1	High limit control unit
B	37631	1	Adapter plate
C	2001327	4	Nut, 6-32 hex
D	2000024	4	Screw, 6-32 x 3/8" (9.5mm)
E	1411D8805	4	Screw, 6-32 x 3/4" (19.1mm)
F	1455A8750	3	Wire connector, 1/4" slide-on
G	37633	1	Instructions



1

WARNING

DISCONNECT ELECTRICAL POWER SUPPLY BEFORE ANY SERVICING IS PERFORMED.

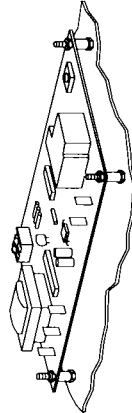


2

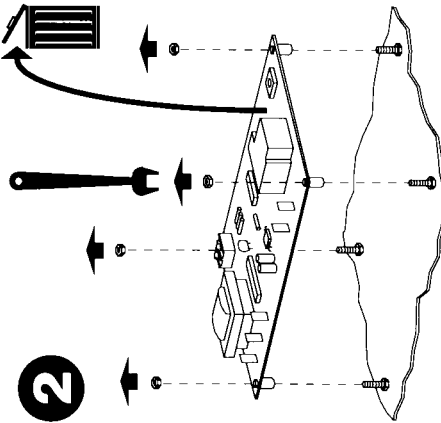
LOCATION OF HIGH LIMIT CONTROL MODULE(S)

<i>TO REPLACE...</i>	<i>FOR MODEL...</i>	<i>GO TO PAGE...</i>			
	HB4 HB6 DZ33 DZ55 DZ55II			DZ33II	
	HB4 HB6 DZ33 DZ55 DZ55II			DZ33II	
	DZ33II			DZ33II	
	DZ33II			DZ33II	
	DZ33II			DZ33II	

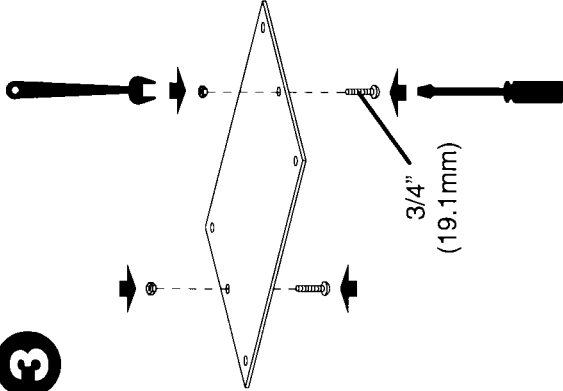
1



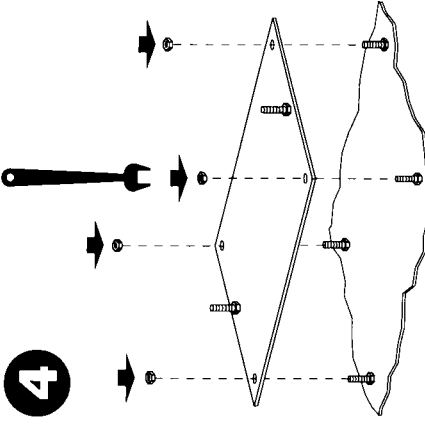
2



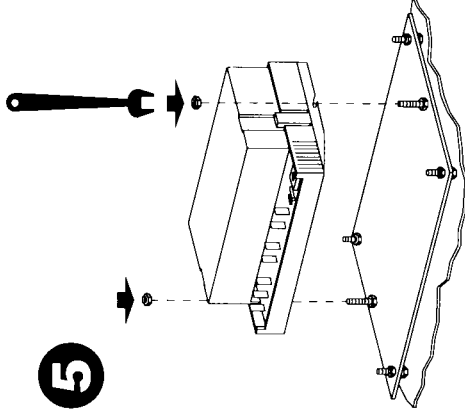
3



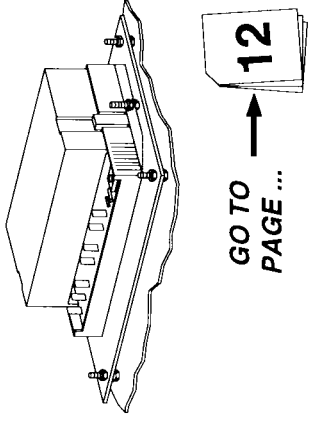
4

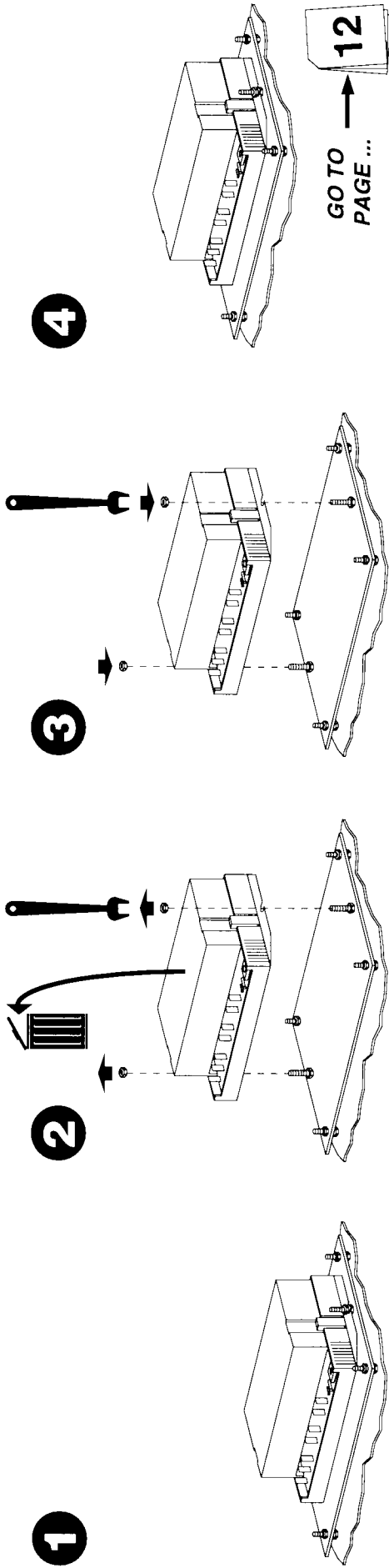


5

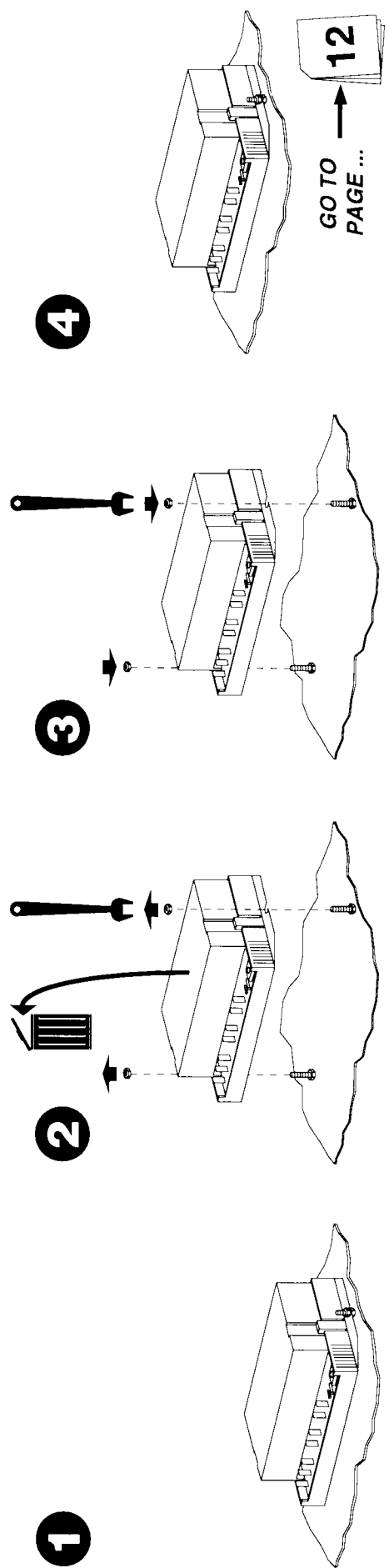


6

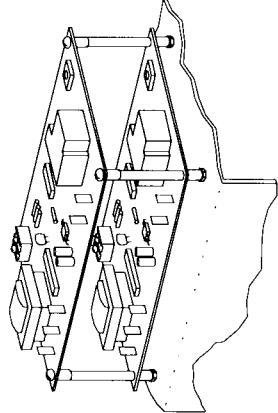




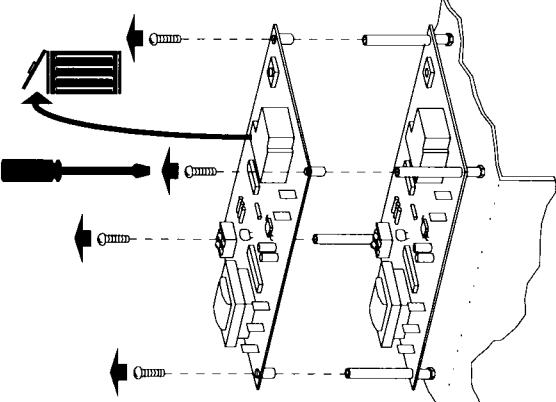
OR



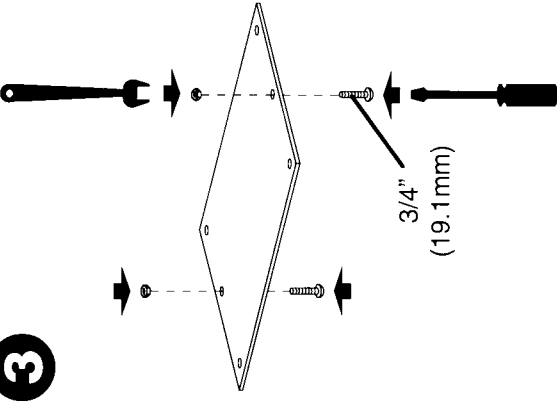
1



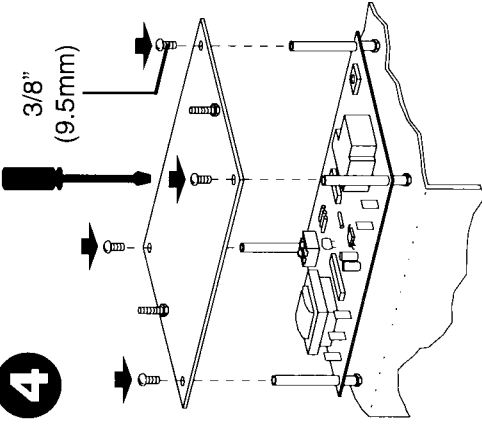
2



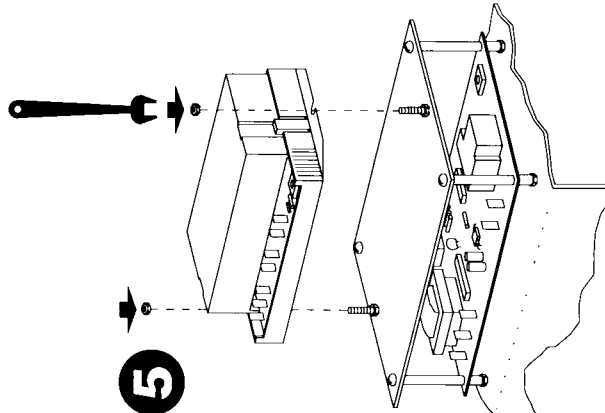
3



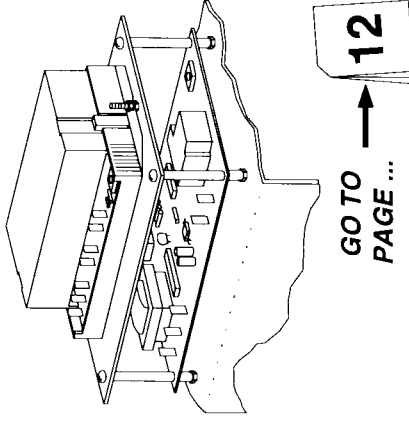
4



5

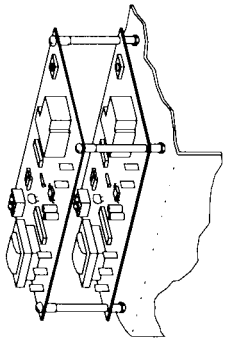


6

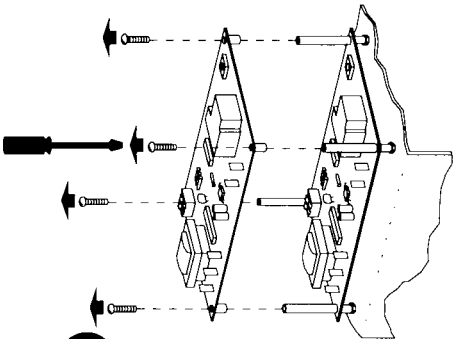


GO TO
PAGE ... **12**

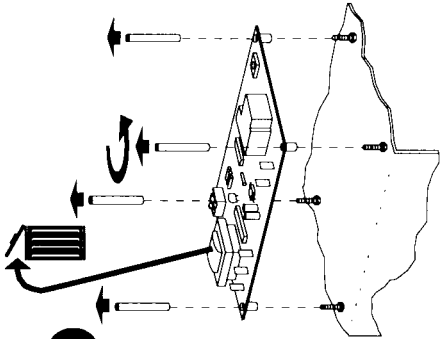
1



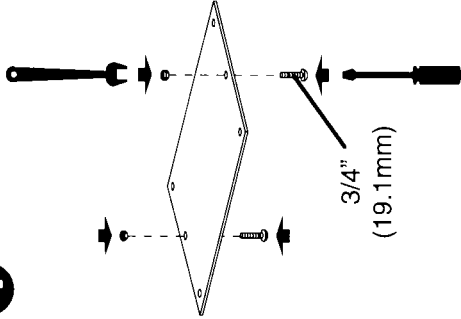
2



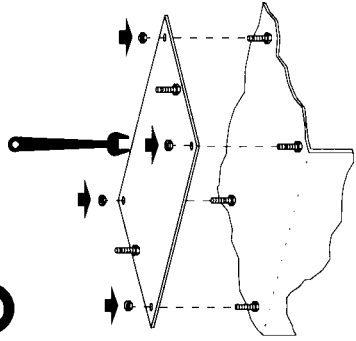
3



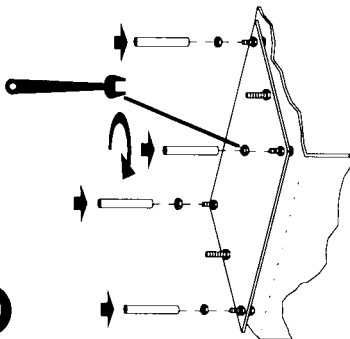
4



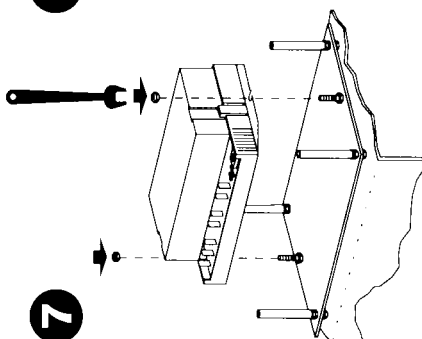
5



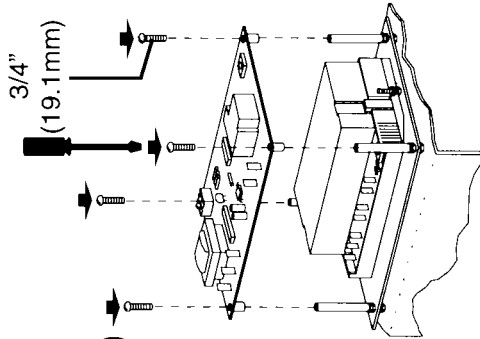
6



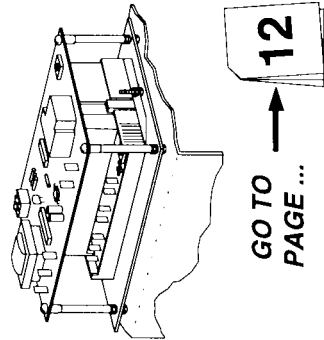
7



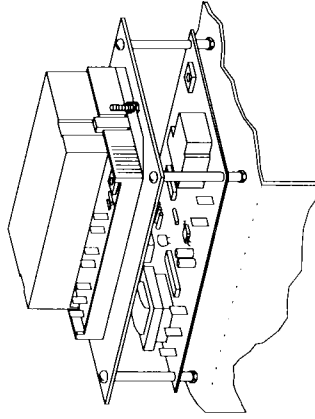
8



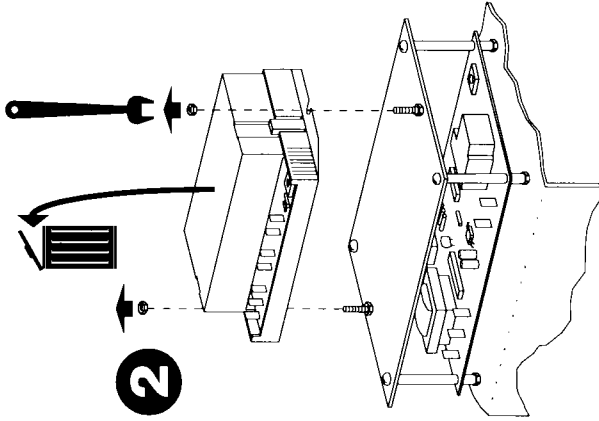
9



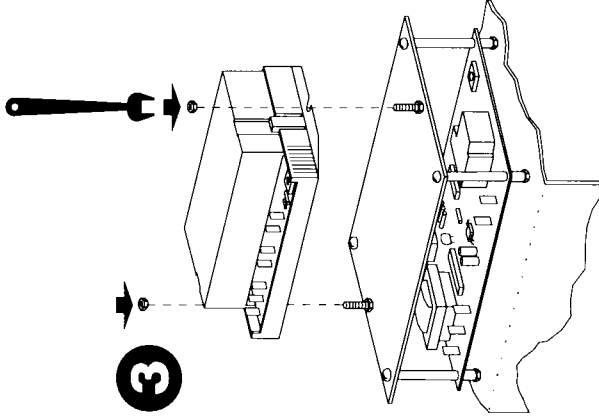
1



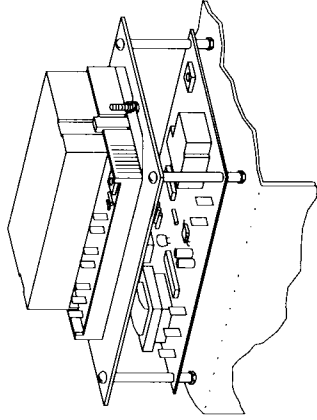
2



3



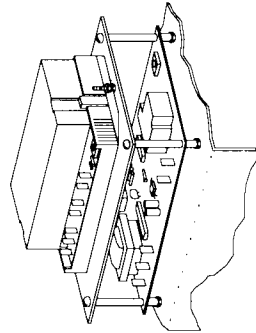
4



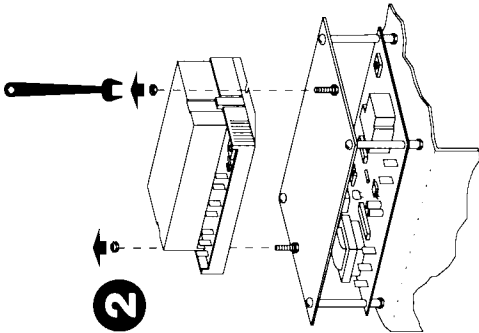
GO TO
PAGE ...

12

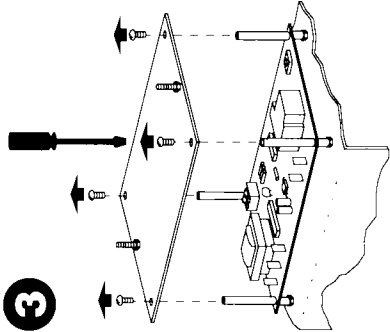
1



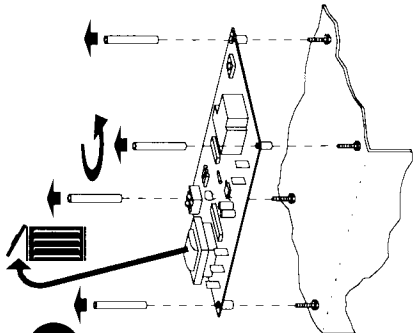
2



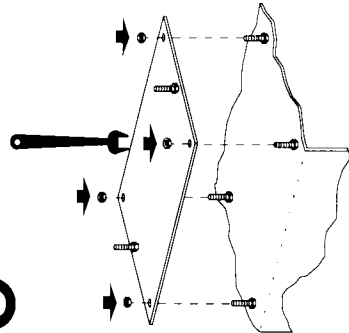
3



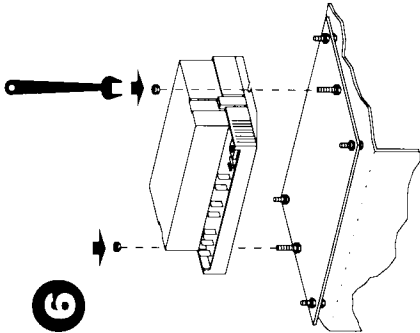
4



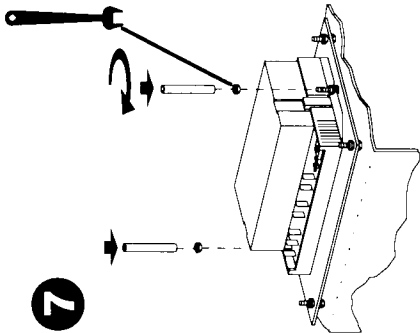
5



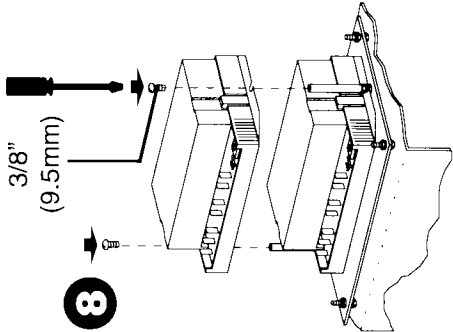
6



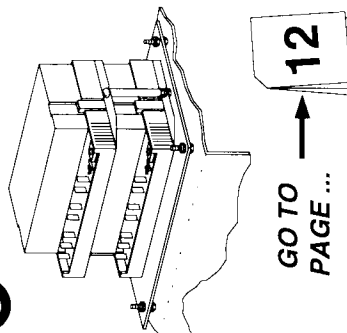
7



8

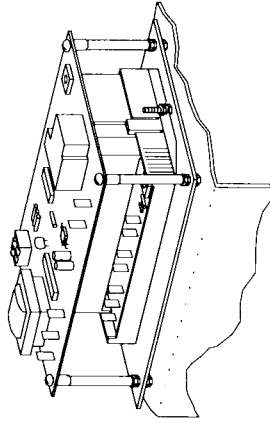


9

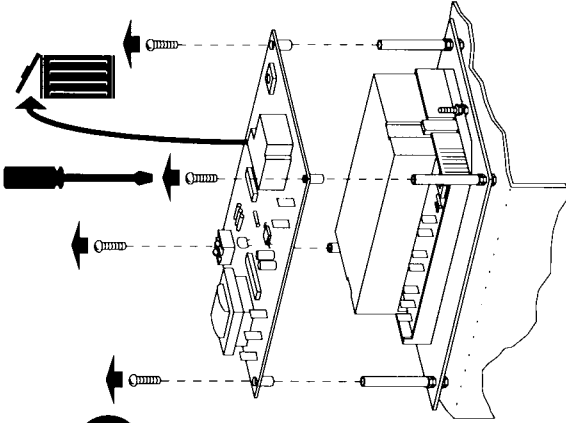


GO TO PAGE ... **12**

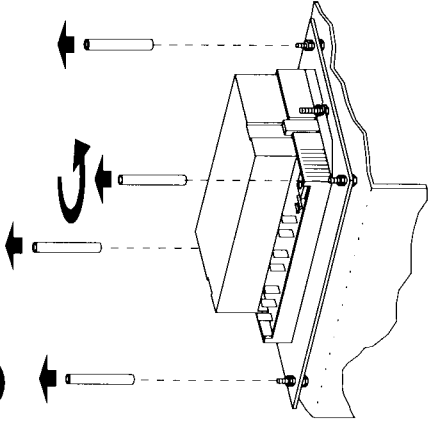
1



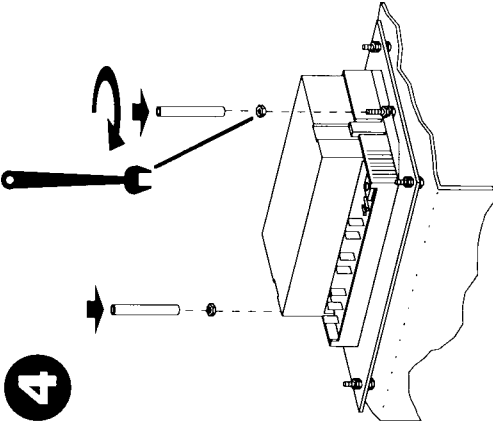
2



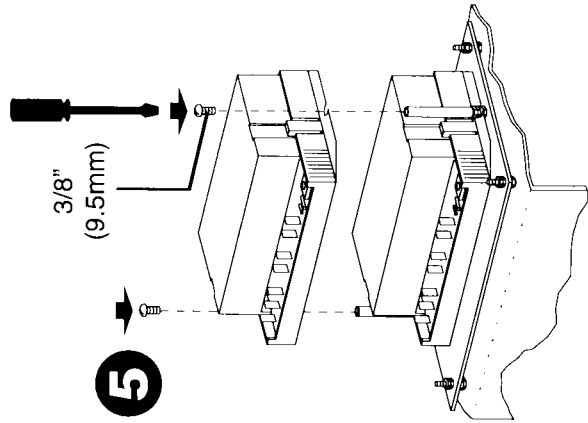
3



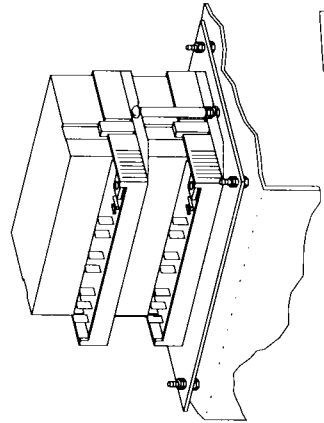
4



5

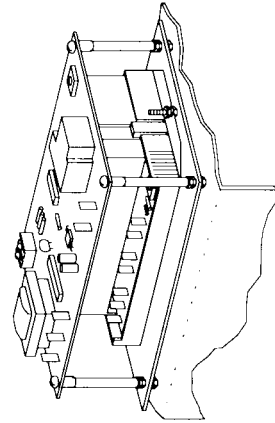


6

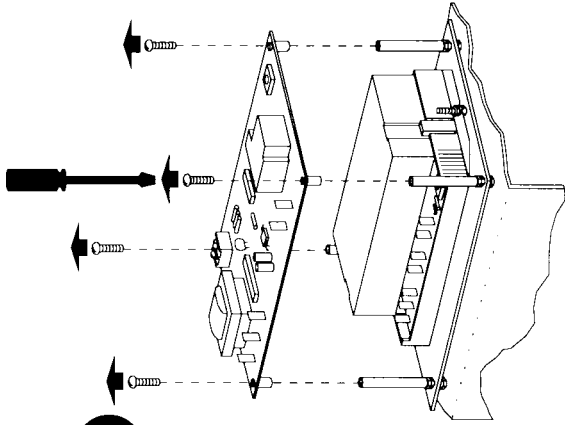


GO TO PAGE ... **12**

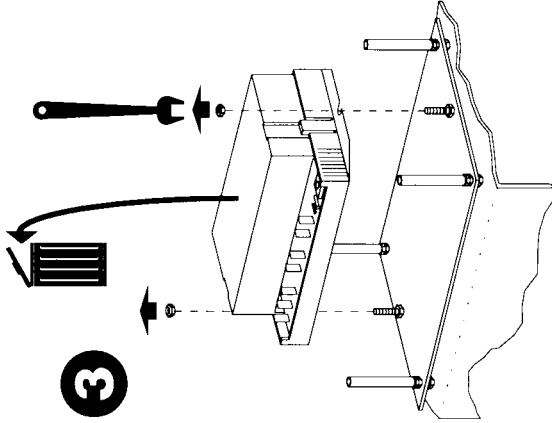
1



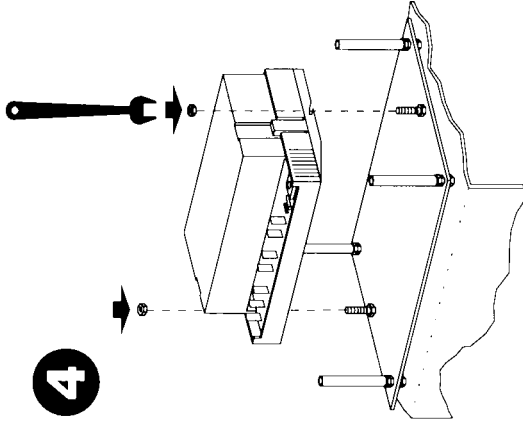
2



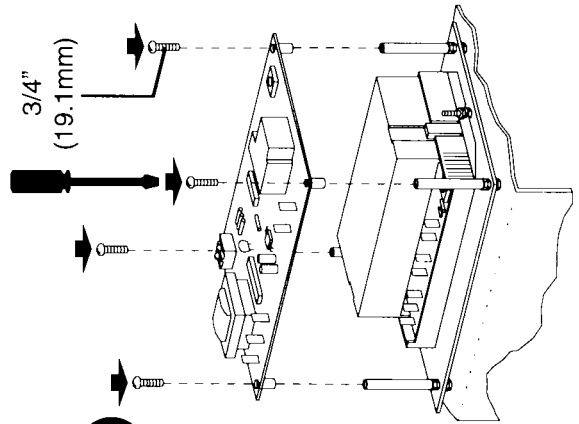
3



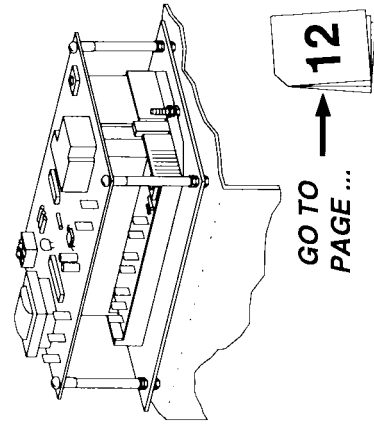
4



5



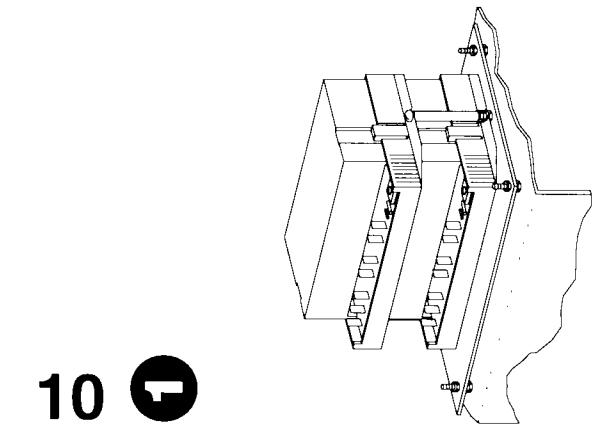
6



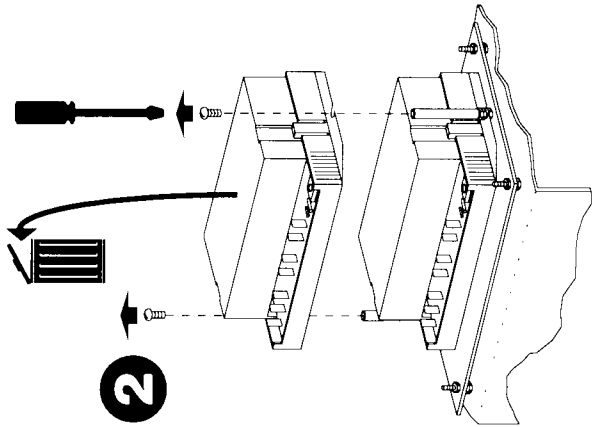
9

10

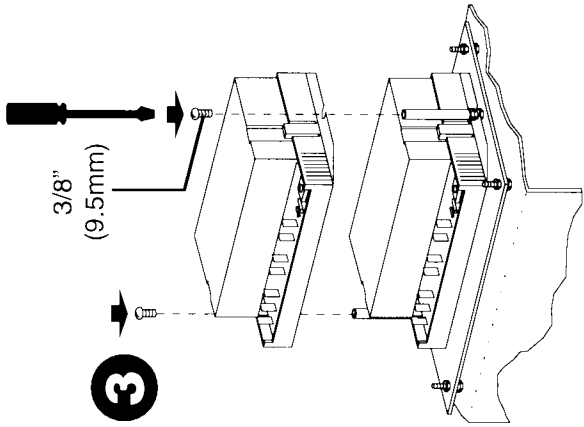
1



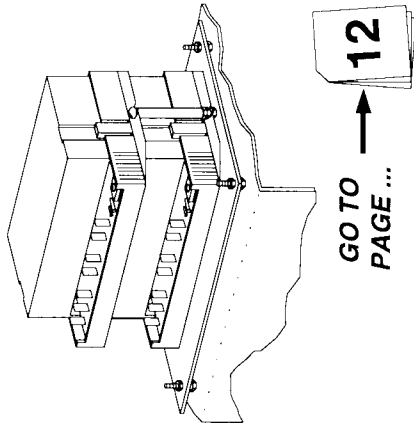
2



3

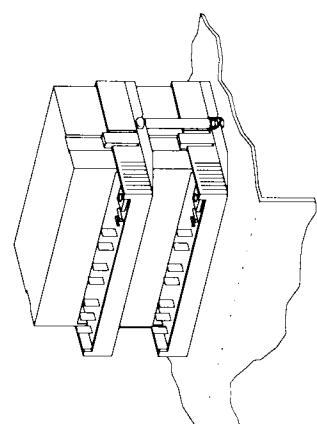


4

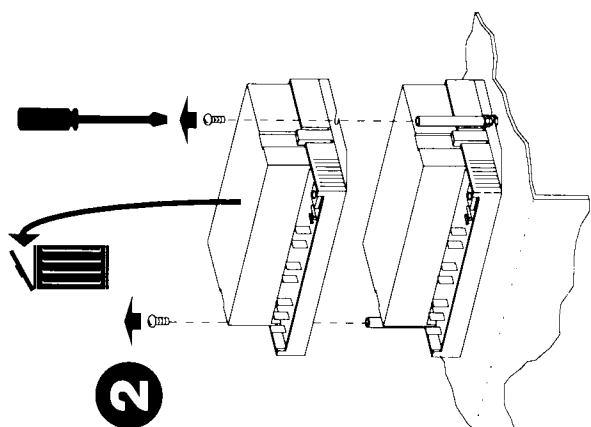


OR

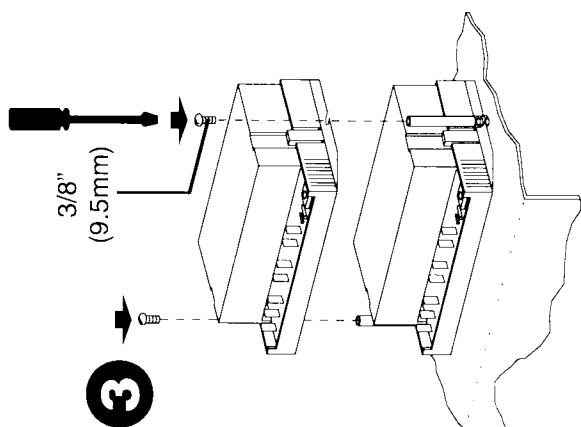
1



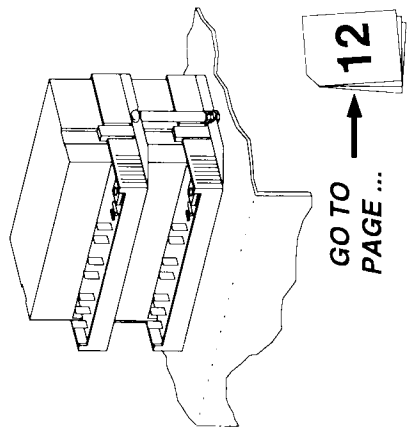
2

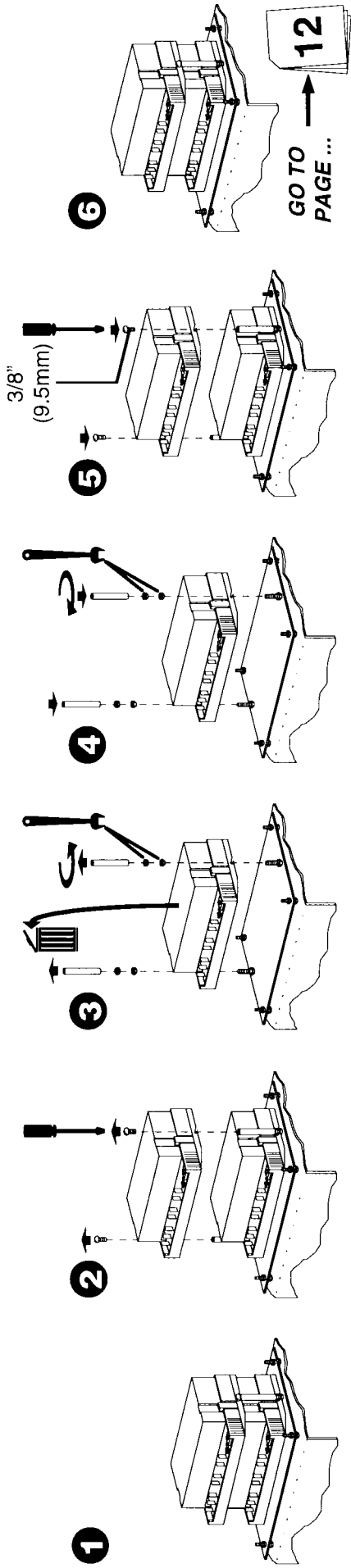


3

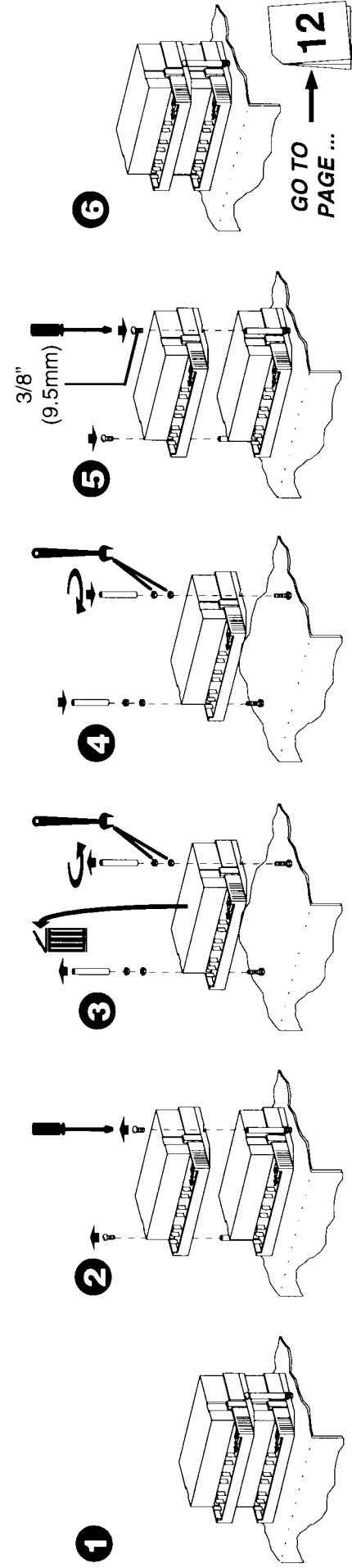


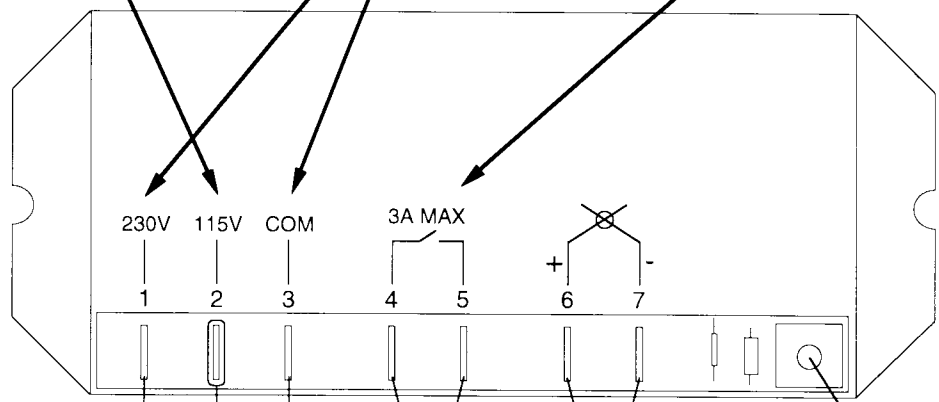
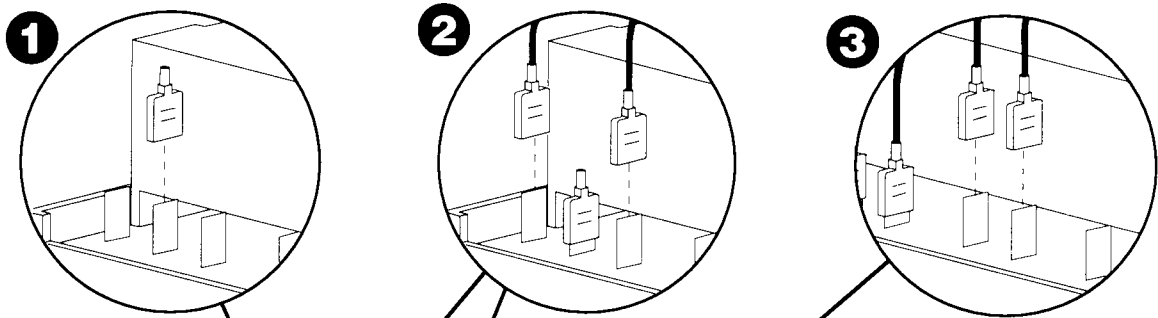
4



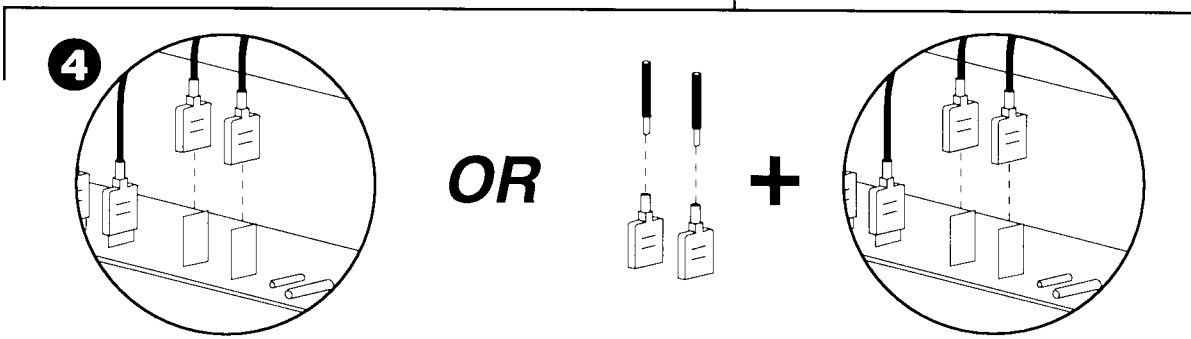


OR

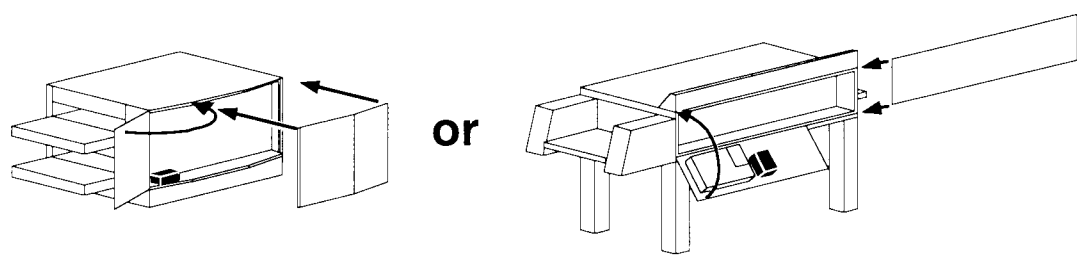




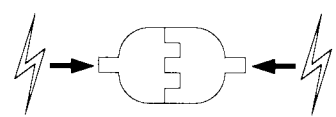
INPUT POWER TERMINALS



1



2



12