

# Toastmaster

Foodservice Equipment

Job \_\_\_\_\_ Item# \_\_\_\_\_

## Conveyor Bagel/Muffin Toaster Models TB208 & TB240, TW208 & TW240



### Controls

A separate On/Off/Standby dial is provided. Standby position allows for energy savings during non-peak periods. A conveyor speed dial controls the belt speed.

### Capacity

Toasts approximately 400 bagels/muffins/subs per hour. Preheat time is 20 minutes.

### Approximate Weight

Approximately 75 lbs. installed, 80 lbs. shipping. May be shipped via UPS.

### Warranty

Product warranty includes two year parts and labor, on-site service.

### Ordering Information

Specify domestic or international use.

- Model TB208 - 208V, 1-phase.
- Model TB240 - 240V, 1-phase.
- Model TW208 - 208V, 1-phase.
- Model TW240 - 240V, 1-phase.

### Application

Commercial conveyor toasters are designed to uniformly toast bagels and English muffins in large quantities, using continuous feed methods. Larger chamber opening on TW models accommodates hogies and subs.

### General Information

Feed tray connects to front of unit horizontally without tools. Tray is angled to feed continuously. Overall dimensions are 16½"W x 21¾"D x 16½"H, including 4" NSF listed legs. Toasting chamber dimensions:

- TB208 & TB240 - 11½"W x 1¾"H.
- TW208 & TW240 - 11½"W x 2½"H.

### Safety

Unique air flow design keeps case, top, and sides cool.

### Construction

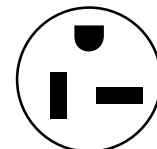
Stainless steel construction is designed for durability. A full-length crumb tray slides out for easy clean-up. The wire return chute is also easily removable for cleaning.

### Electrical

Available in 208V or 240V, A/C, 1-phase only. Total rated input is 2.7 kW at 208V and 2.9 kW at 240V. Recommended electrical service is 20 amps. A factory installed 48" cord and plug is included.

### Heating

Upper: Three time-proven wound element cards provide superb even toasting.  
Lower: Single long-life tubular element warms the product thoroughly without scorching the bottom.



NEMA  
6-20P



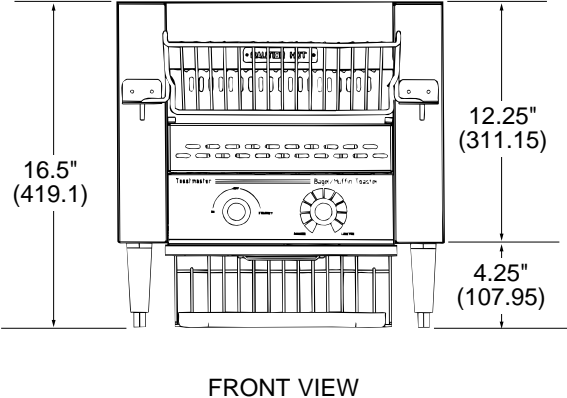
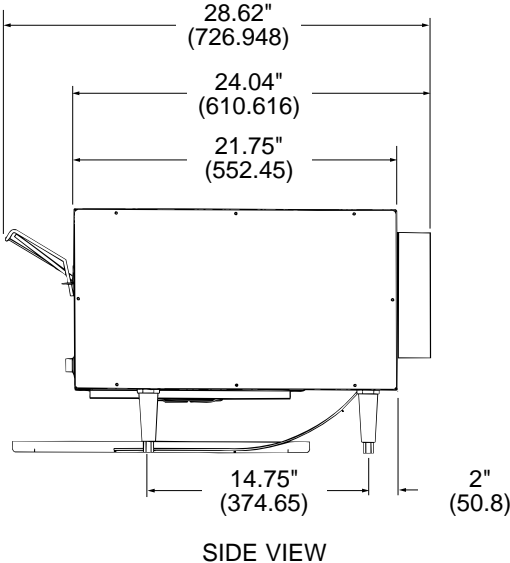
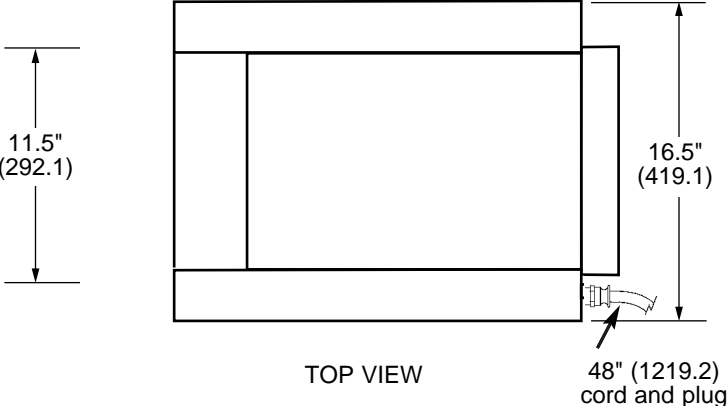
**A MIDDLEBY COMPANY**

1400 Toastmaster Drive  
Elgin, Illinois 60120 USA  
(847) 741-3300 Fax: (847) 741-0015  
www.middleby.com

# Conveyor Bagel/Muffin Toaster

## Models TB208 & TB240, TW208 & TW240

NOTE: All Figures In Parentheses Are In Millimeters.



ELECTRICAL DATA			
MODEL	VOLTAGE	TOTAL kW	AMPERAGE
TB208 & TW208	208	2.7	13.1
TB240 & TW240	240	2.9	12.1



**INTENDED FOR COMMERCIAL USE ONLY. NOT FOR HOUSEHOLD USE.**  
 Toastmaster, in line with its policy to continually improve its products, reserves the right to change materials or specifications without notice. Such revisions do not entitle the buyer to corresponding changes, improvements, additions, or replacements for previously purchased equipment.



1400 Toastmaster Drive, Elgin, IL 60120-9272 USA • (847) 741-3300 • Fax: (847) 741-0015  
[www.middleby.com](http://www.middleby.com)