



Electronic Combo Pop-Up Toasters Models HT409 and HT424



HT409/HT424

Application

Commercial electronic pop-up toaster is designed to uniformly and quickly toast bread in the two right-hand slots and quickly toast bagels and hamburger buns in the two left-hand slots.

General Information

Commercial four slot pop-up type bread toaster has four toasting slots in the top. Two slots are standard 1 1/8" (29mm)W x 5 1/4" (133mm)L and two slots are extra-wide one sided slots, 1 5/8" (41mm)W x 5 1/4" (133mm)L. Each toasting chamber is equipped with oven, guide wires, and lowering rack. Overall dimensions are 11 1/16" (291mm)W x 13" (330mm)D and 9 3/16" (233mm)H.

Model HT409 Series Toasters Feature:

- Solid state timer-control
- Electrical heating elements that provide uniform heat and even toasting
- Operating lever and color selection knob
- Removable crumb tray

Construction

Construction is of formed and welded sheet steel. Finish is brushed stainless steel with a bright anneal (mirrored) finish on the front panel. A front pullout crumb tray is provided for easy cleaning.

Electrical

Total rated input for the 120V Model HT409 is 2.0 kW. Total rated input for the 208/240V Model HT424 is 1.7 kW at 208V or 2.2 kW at 240V. All HT409 & HT424 models are single phase. Toasters are equipped with a two pole switch that energizes the elements when the operating lever is depressed. HT409 & HT424 toasters are furnished with factory installed 36" cord with NEMA Standard 5-20P plug or NEMA Standard 6-15P plug respectively.

Heating

Insulated ceramic etched foil heaters are installed on both sides of each bread toasting chamber, and one high-efficiency, ceramic etched-foil heater is installed on the left side of each bagel/bun toasting chamber.

Controls

Each two-slot section is controlled by a lever operated mechanism, it is equipped with a color selector knob coupled with solid state controls having temperature and voltage compensators. When operating lever is depressed, bread racks are lowered, and elements are energized simultaneously. At the end of the toasting cycle, elements are de-energized, and bread racks are automatically raised by a coil spring.

Capacity

The HT409 and HT424 in 208V toast 150 slices of bread and 150 bagel halves or 120 English muffin halves per hour. The HT424 in 240V toasts 190 slices of bread and the same capacity of bagels and muffins per hour.

No Quibble Warranty

Warranted for one year covering parts and labor.

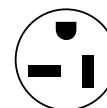
Approximate Weights

9.3 lbs. installed, 12.3 lbs. shipping.

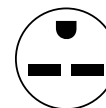
Ordering Information

HT409/HT424 four slot bread toaster

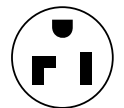
- HT409 - 120V, 1-Phase, 50/60 Hz.
Plug Type: Nema 5-20P
- HT424 - 208/240V, 1-Phase, 50/60 Hz.
Plug Type: Nema 6-15P
- 1D3CS Stand



NEMA 5-20P



NEMA 6-15P



NEMA 5-30P

A MIDDLEBY COMPANY

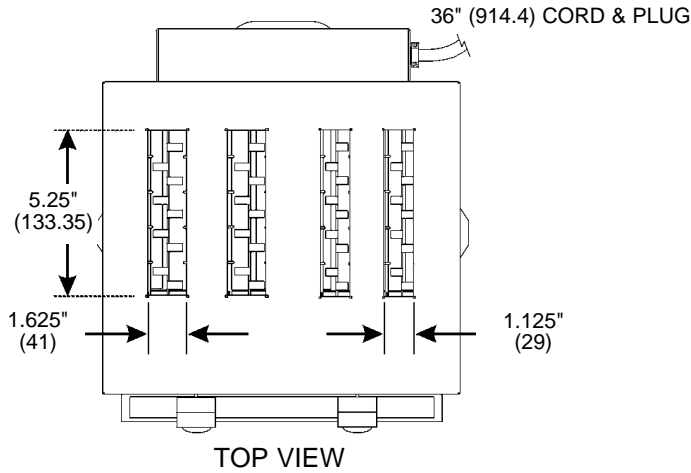
1400 Toastermaster Drive
Elgin, Illinois 60120 USA
1-800-323-2210 • Fax: 1-800-635-4725
www.middleby.com



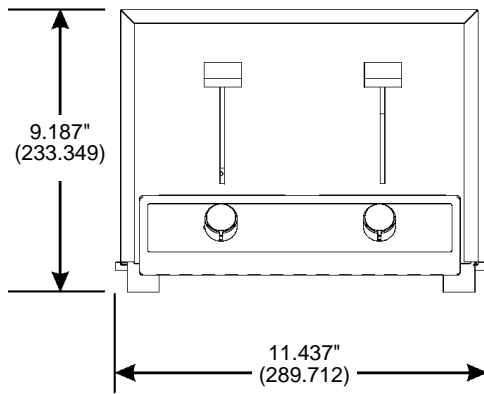
Solid State Slot Toaster

Model HT409/HT424

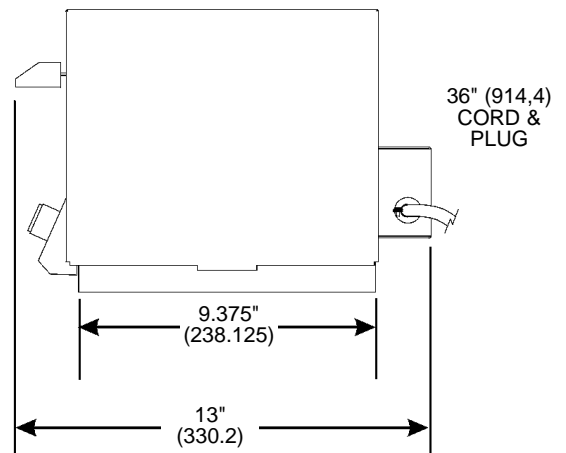
NOTE: All Figures In Parentheses Are In Millimeters



FRONT VIEW



SIDE VIEW



GENERAL INFORMATION

Model	Width	Height	Depth	Net Weight	Ship Weight
HT409/HT424	6 $\frac{5}{16}$ " (171)	9 $\frac{1}{16}$ " (233)	13" (559)	9.3 lbs. 4.2 kg	12.3 lbs 5.6 kg

ELECTRICAL INFORMATION

Model#	Voltage	Phase	Hz	kW	Amps	Plug Type
HT409	120	1	50/60	2.0	16.6	NEMA 5-20P
HT424	208/240	1	50/60	1.7/2.2	8.0/9.2	NEMA 6-15P



INTENDED FOR COMMERCIAL USE ONLY. NOT FOR HOUSEHOLD USE.

Toastermaster, in line with its policy to continually improve its products, reserves the right to change materials or specifications without notice. Such revisions do not entitle the buyer to corresponding changes, improvements, additions, or replacements for previously purchased equipment.



1400 Toastermaster Drive, Elgin, IL 60120-9272 USA • 1-800-323-2210 • Fax: 1-800-635-4725

www.middleby.com